

Technical sheet :

ATJ 60 RC



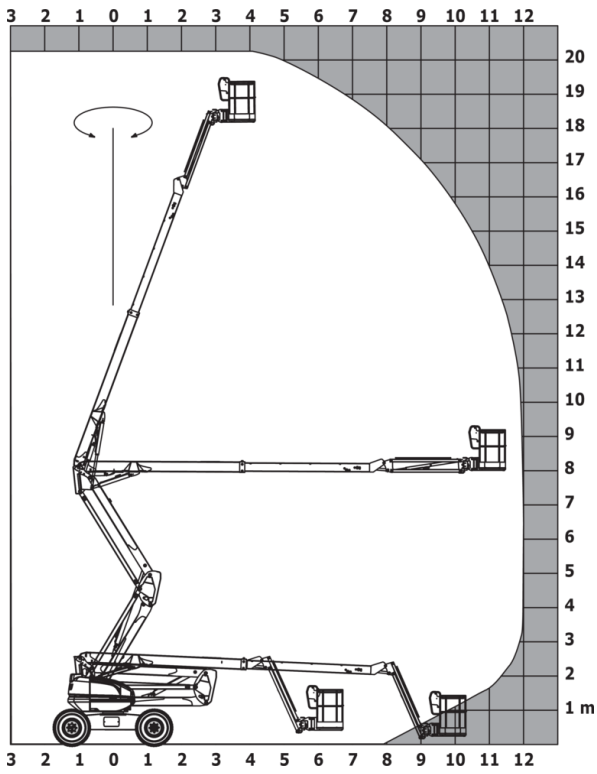
Capacities		Metric
Working height	h21	20.19 m
Platform height	h7	18.36 m
Maximum outreach		11.97 m
Overhang		15.24 m
Pendular arm rotation (bottom)		+66 °
Platform capacity	Q	227 kg
Turret rotation		360 °
Platform rotation (right / left)		90 ° / 90 °
Number of people (indoor / outdoor)		2 / 2
Weight and dimensions		
Platform weight*		10100 kg
Platform dimensions (length x width)	lp / ep	2.10 m x 0.80 m
Floor height (access)	h20	0.50 m
Overall length	l1	8.43 m
Overall width	b1	2.40 m
Overall height	h17	2.71 m
Overall length (stowed)	l9	6.23 m
Overall height (stowed)	h18 ***	2.83 m
Counterweight offset (turret at 90°)	a7	0.11 m
Counterweight Oversize / Reach		0.11 m
Internal turning radius / External turning radius	Wa3	1.26 m/3.90 m
Ground clearance at centre of wheelbase	m2	0.44 m
Wheelbase	y	2.40 m
Performances		
Drive speed - stowed		4.70 km/h
Drive speed - raised		1 km/h
Gradeability		40 %
Wheels		
Tires type		Solid tires
Standard tires		40 x 14 in / 1025 x 365 mm
Drive wheels (front / rear)		2 / 2
Steering wheels (front / rear)		2 / 2
Braking wheels (front / rear)		0 / 2
Engine/Battery		
Engine brand / model		Kubota - D1803-CR-TIE4B
Engine nom		Tier 4
Engine power (Hp / kW)		42.90 Hp / 32.80 kW
Miscellaneous		
Ground Pressure		20.65 daN/cm2
Hydraulic Pressure		340 bar
Hydraulic tank capacity		80 l
Fuel		78 l
Noise to environment (LWA)		< 102 dB
Vibration on hands/arms		< 0.50 m/s ²
Standards compliance		
This machine is in compliance with:		ANSI A92.20-2018 CSA B354.6 ICES-002-Issue 6 Standard Canadian EMC

*Varies according to options and standards of the country to which the machine is delivered

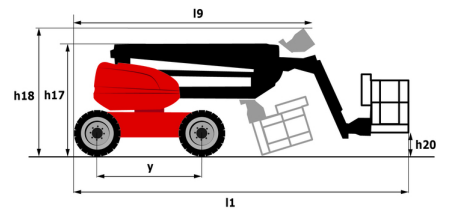
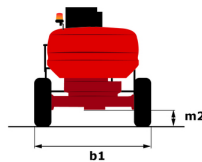
** According to "REDUCE cycle"

ATJ 60 RC - Load chart

Load Chart for MEWP Metric



ATJ 60 RC - Dimensional drawing



Equipment

Standard

4 simultaneous movements

4 wheel drive

4 wheel steer with crab mode

Audible alarm and illuminated indicator lamp (leveling, overload, lowering)

Backup electrical pump

Battery cut-off

CAN bus technology

Continuous turret rotation

Cumulative lifting and driving functions

Diesel tank locking cap

Differential locking on rear axle

Easy Manager

Emergency stop button in platform and on frame

Engine on swivel chair

Oscillating front axle

Optional

Biodegradable oil

Cold environment package

Hydraulic generator

LED work light - On basket

Safe Man System (SMS)

**Head Office**

B.P. 249 - 430 rue de l'Aubinière
44150 Ancenis Cedex - France

Tel: +33 (0)2 40 09 10 11 - Fax: +33 (0)2 40 09 10 97

www.manitou.com



This publication provides a description of the configuration versions and options for Manitou products, which may differ for equipment. The equipment presented in this brochure may be part of a series, as an option, or it may not be available, depending on the versions. Manitou reserves the right, at any time and without notice, to amend the specifications described and represented. The specifications provided do not bind the manufacturer. For more details, please contact your Manitou agent. This is not a contractually binding document. The presentation of the products is not contractually binding. List of specifications non-exhaustive. The logos as well as the visual identity of the company are owned by Manitou and cannot be used without authorisation. All rights reserved. The photos and diagrams contained in this brochure are only provided for consultation and information purposes.

MANITOU BF SA - Limited company with board of directors - Share capital: 39,668,399 euros - 857 802 508 RCS Nantes