

# RS8-42 GEN:4

RS

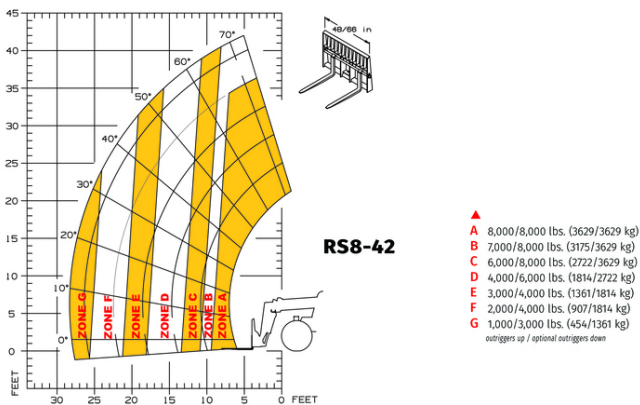


**GEHL**®

Capacities			Metric	Imperial
Max. capacity			3628.73 kg	8000 lb
Max. lifting height			12.80 m	42 ft
Max. outreach			8.60 m	28 ft 3 in
Weight and dimensions				
Overall width	b1		2.40 m	7 ft 10 in
Overall height	h17		2.40 m	7 ft 10 in
Wheelbase	y		3.05 m	10 ft
Ground clearance	m4		400 mm	16 in
Overall cab width	b4		838 mm	33 in
External turning radius	Wa3		4.20 m	13 ft 9 in
Unladen weight			10591 kg	23349 lb
Overall weight			10591 kg	23349 lb
Standard tyres			13x24	13x24
Frame levelling longitudinal +/-			10 °	10 °
Engine				
Engine brand			Deutz	Deutz
Engine norm			Stage IV	Stage IV
Engine model			TCD 3.6 L4	TCD 3.6 L4
I.C. Engine power rating - Power (kW)			120 Hp / 89 kW	120 Hp / 89 kW
Max. torque / Engine rotation			480 Nm @ 1600 rpm	354 ft/lbs @ 1600 rpm
Transmission				
Transmission type			Powershift	Powershift
Max. travel speed			31.50 km/h	20 mi/h
Parking brake			SAHR	SAHR
Service brake			Wet disc brakes	Wet disc brakes
Axle Manufacturer			Dana	Dana
Hydraulics				
Hydraulic flow / Pressure			157 l/min / 207 bar	41 US gpm / 3002 PSI
Tank capacities				
Hydraulic oil			117 l	31 US gal
Fuel tank			178 l	47 US gal
Miscellaneous				
Controls			Single joystick with FNR	Single joystick with FNR

## RS8-42 GEN:4 - Load chart

Machine on tyres with forks Imperial





# GEHL®

Siège Social

P.O. Box 179 - One Gehl Way - West Bend, WI, USA 53095

Tel: (262) 334-9461 - Fax: (262) 338-7517

[www.gehl.com](http://www.gehl.com)



This brochure describes versions and configuration options for Gehl products which may be fitted with different equipment. The equipment described in this brochure may be standard, optional or not available depending on version. Gehl reserves the right to change the specifications shown and described at any time and without prior warning. The manufacturer is not liable for the specifications given. For more information, contact your Gehl dealer. Non-contractual document. Product descriptions may differ from actual products. List of specifications is not comprehensive. The logos and visual identity of the company are the property of Gehl and may not be used without authorization. All rights reserved. The photos and diagrams contained in this brochure are provided for information only.

MANITOU EQUIPMENT AMERICAS, LLC - Limited company with board of directors - Share capital: 39,668,399 euros - 857 802 508 RCS West Bend