

# DL12-55 GEN-3

**DL**



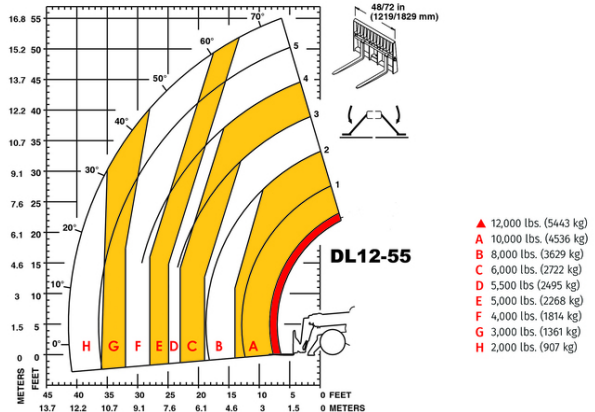
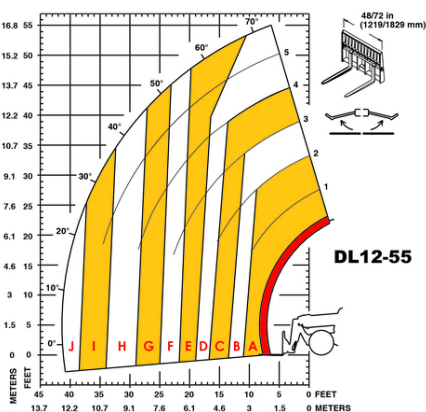
**GEHL**<sup>®</sup>

| Capacities                            |     | Metric                   |  | Imperial                 |  |
|---------------------------------------|-----|--------------------------|--|--------------------------|--|
| Max. capacity                         |     | 5443.10 kg               |  | 12000 lb                 |  |
| Max. lifting height                   |     | 16.89 m                  |  | 55 ft 5 in               |  |
| Max. outreach                         |     | 12.20 m                  |  | 40 ft                    |  |
| Weight and dimensions                 |     |                          |  |                          |  |
| Overall length to carriage            | l1  | 6.30 m                   |  | 20 ft 8 in               |  |
| Overall width                         | b1  | 2.50 m                   |  | 8 ft 2 in                |  |
| Overall height                        | h17 | 2.60 m                   |  | 8 ft 6 in                |  |
| Wheelbase                             | y   | 3.30 m                   |  | 10 ft 10 in              |  |
| Ground clearance                      | m4  | 406 mm                   |  | 16 in                    |  |
| Overall cab width                     | b4  | 2.50 m                   |  | 8 ft 2 in                |  |
| External turning radius               | Wa3 | 0.88 m                   |  | 2 ft 11 in               |  |
| Unladen weight                        |     | 14443 kg                 |  | 31841 lb                 |  |
| Overall weight                        |     | 14442 kg                 |  | 31839 lb                 |  |
| Standard tyres                        |     | 14 x 24                  |  | 14 x 24                  |  |
| Frame levelling longitudinal +/-      |     | 10 °                     |  | 10 °                     |  |
| Frame levelling corrector             | a9  | 10 °                     |  | 10 °                     |  |
| Engine                                |     |                          |  |                          |  |
| Engine brand                          |     | Cummins                  |  | Cummins                  |  |
| Engine norm                           |     | Tier 4 final             |  | Tier 4 final             |  |
| Engine model                          |     | QSF 3.8 Tier IV          |  | QSF 3.8 Tier IV          |  |
| I.C. Engine power rating - Power (kW) |     | 120 Hp / 89 kW           |  | 120 Hp / 89 kW           |  |
| Engine rotation                       |     | 2500 rpm                 |  | 2500 rpm                 |  |
| Transmission                          |     |                          |  |                          |  |
| Transmission type                     |     | Powershift               |  | Powershift               |  |
| Number of gears (forward / reverse)   |     | 4 / 4                    |  | 4 / 4                    |  |
| Max. travel speed                     |     | 36.70 km/h               |  | 23 mi/h                  |  |
| Parking brake                         |     | SAHR                     |  | SAHR                     |  |
| Service brake                         |     | Wet disc brakes          |  | Wet disc brakes          |  |
| Axle Manufacturer                     |     | Dana                     |  | Dana                     |  |
| Hydraulics                            |     |                          |  |                          |  |
| Hydraulic pump type                   |     | Gear pump                |  | Gear pump                |  |
| Hydraulic flow / Pressure             |     | 162.80 l/min / 207 bar   |  | 43 US gpm / 3002 PSI     |  |
| Tank capacities                       |     |                          |  |                          |  |
| Hydraulic oil                         |     | 155 l                    |  | 41 US gal                |  |
| Fuel tank                             |     | 114 l                    |  | 30 US gal                |  |
| Miscellaneous                         |     |                          |  |                          |  |
| Steering wheels (front / rear)        |     | 2 / 2                    |  | 2 / 2                    |  |
| Drive wheels (front / rear)           |     | 2 / 2                    |  | 2 / 2                    |  |
| Safety cab homologation               |     | ROPS/FOPS                |  | ROPS/FOPS                |  |
| Controls                              |     | Single joystick with FNR |  | Single joystick with FNR |  |

### DL12-55 GEN:3 - Load chart

Machine on tyres with forks Imperial

Machine on lowered stabilisers with forks Imperial





# GEHL®

Siège Social

P.O. Box 179 - One Gehl Way - West Bend, WI, USA 53095

Tel: (262) 334-9461 - Fax: (262) 338-7517

[www.gehl.com](http://www.gehl.com)



This brochure describes versions and configuration options for Gehl products which may be fitted with different equipment. The equipment described in this brochure may be standard, optional or not available depending on version. Gehl reserves the right to change the specifications shown and described at any time and without prior warning. The manufacturer is not liable for the specifications given. For more information, contact your Gehl dealer. Non-contractual document. Product descriptions may differ from actual products. List of specifications is not comprehensive. The logos and visual identity of the company are the property of Gehl and may not be used without authorization. All rights reserved. The photos and diagrams contained in this brochure are provided for information only.

MANITOU EQUIPMENT AMERICAS, LLC - Limited company with board of directors - Share capital: 39,668,399 euros - 857 802 508 RCS West Bend